

**IN THE DRAWINGS:**

The attached sheets of drawings include changes to Figs. 24A, 25A and 25B to correct informalities therein. These sheets replace the original sheets containing these drawings. Applicants are also submitting formal drawings herewith.

Attachment: Replacement Sheets

Annotated Sheets Showing Changes

**REMARKS**

Upon preparing the formal drawings, Applicants noticed that the arrows in Figs. 24A, 25A and 25B were offset. Applicants are amending these drawings to fix this informality and to delete the black boxes in the drawings. No new matter is being added. Accordingly, it is respectfully requested that these amendments be entered and allowed.

If any fee should be due for this amendment, please charge our deposit account 50/1039.

Favorable consideration is earnestly solicited.

Respectfully submitted,

Date: January 9, 2008

/Mark J. Murphy/  
Mark J. Murphy  
Registration No. 34,225

COOK, ALEX, McFARRON, MANZO,  
CUMMINGS & MEHLER, LTD.  
200 West Adams Street; Suite 2850  
Chicago, Illinois 60606  
(312) 236-8500  
Customer No. 26568

PA852, Unit2 No.AN (B), N-ch, L/W = 7.3/ 8, Tox= 115)

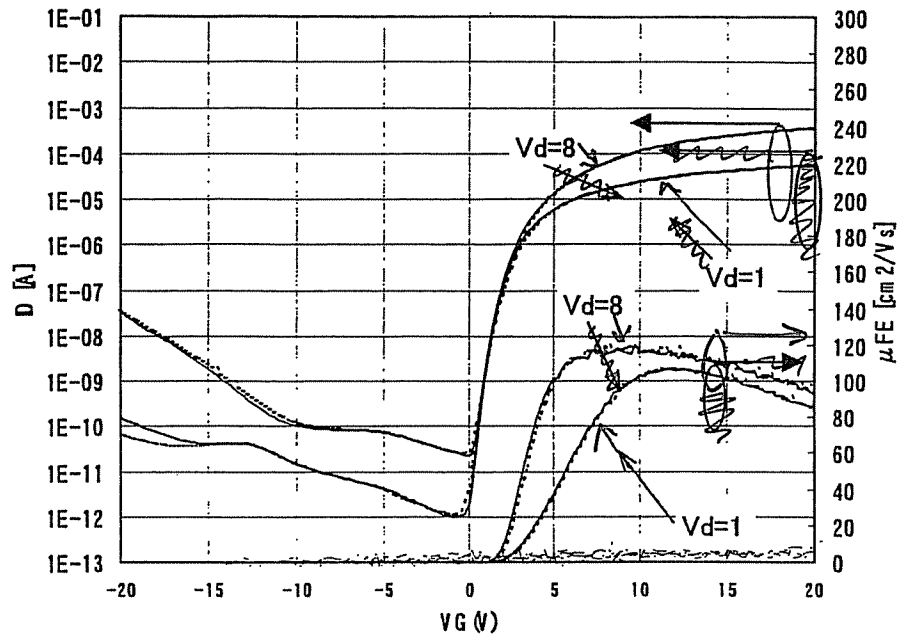


Fig. 24A

PA852, Unit2 No.AP (B), P-ch, L/W = 7/ 8, Tox= 115)

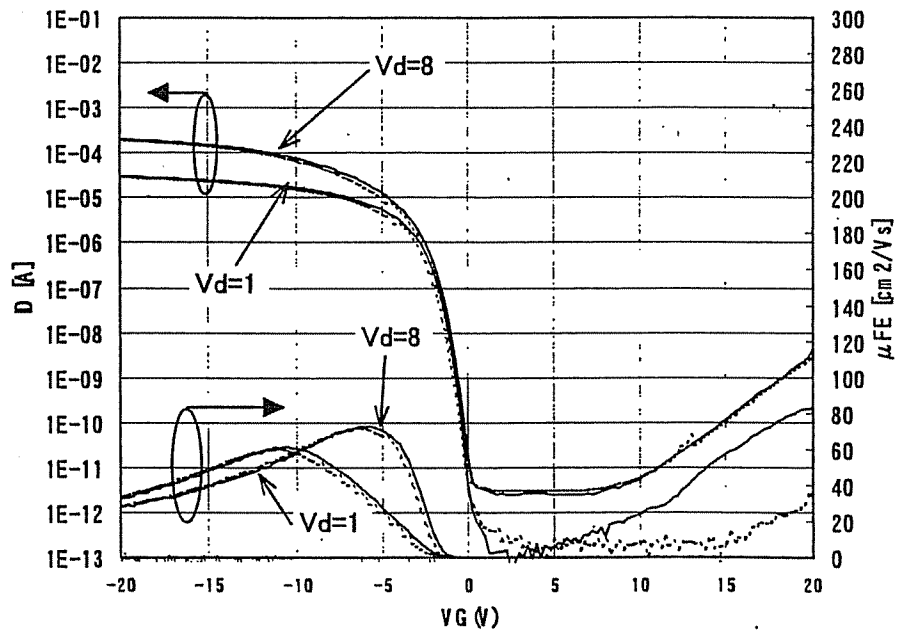


Fig. 24B

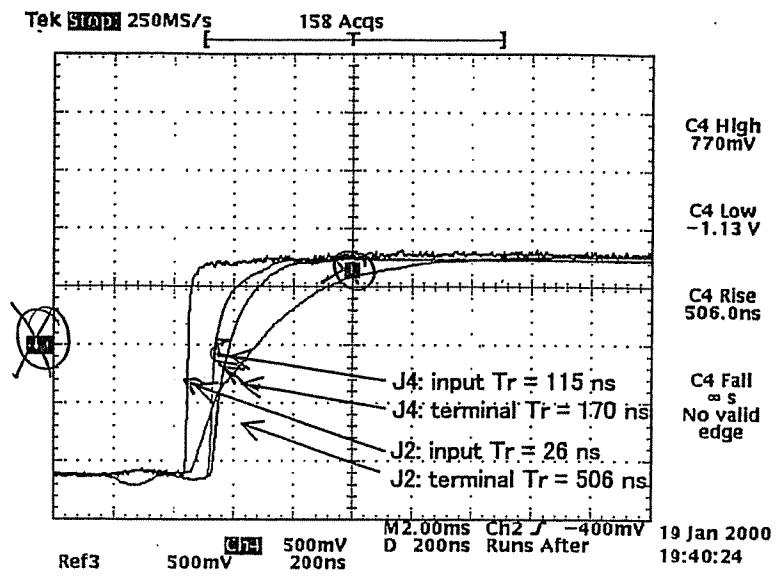


Fig. 25A

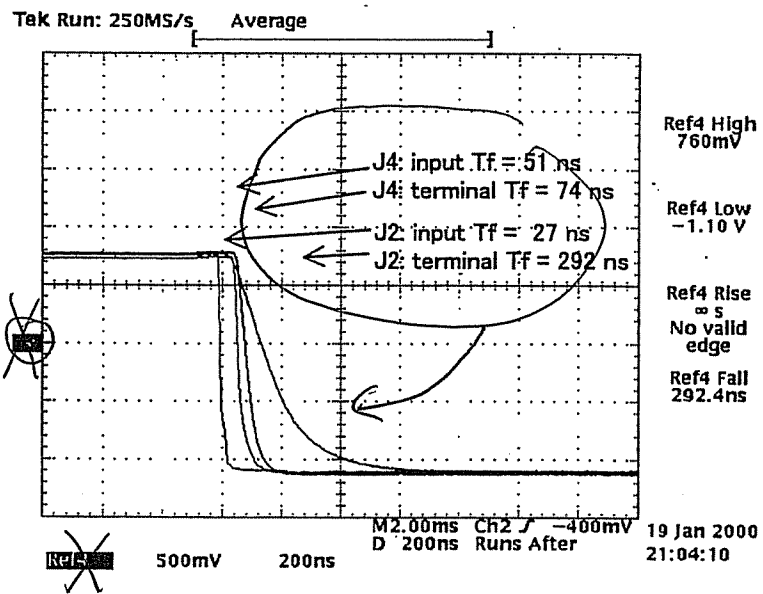


Fig. 25B